

# Laser Beam Dump - 30mm

## Product Description

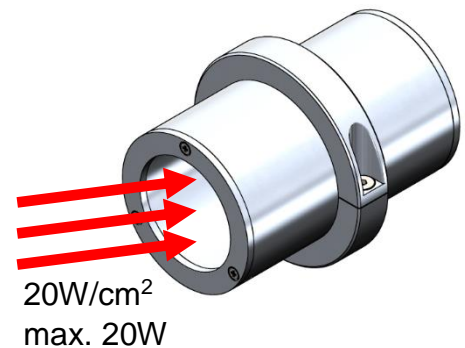
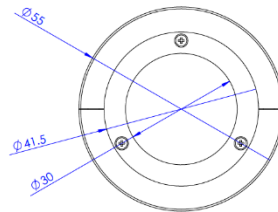
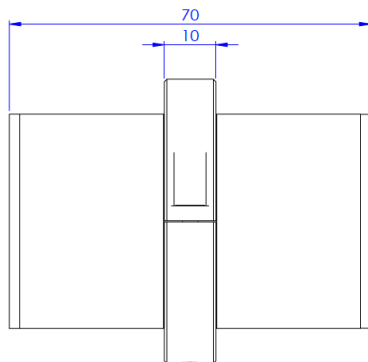
### **LBD-T-30 – Tube Laser Beam Dump for 30mm (1.1in) Beam, 0.1 $\mu$ m - 10 $\mu$ m**

Increase safety and reduce the risk of laser damage by trapping the beam entered into the aperture.

Suitable for CW laser up to 10W/cm<sup>2</sup> and pulsed beams in wide wavelength range from EUV through VIS and up to LWIR.

## Specifications

- ❖ Max. beam diameter [mm]: 30mm (1.1in)
- ❖ Reflectivity factor: <10<sup>-6</sup>
- ❖ Max. beam power density: 20W/cm<sup>2</sup> (max total power: 20W)
- ❖ Wavelengths range: 100nm - 10 $\mu$ m
- ❖ Mounting thread: M6 x 1.0
- ❖ **C-Mount (optional):** additional replacement ring with max. beam diameter of 24.7 (0.97")
- ❖ Material: aluminum
- ❖ Coating: Vacuum Black & Metal Velvet Foil
- ❖ Size (dia. x length): 41.5mm (1.6in) x 70mm (2.75in) (exclude mount)



# Laser Beam Dump - 51mm

## Product Description

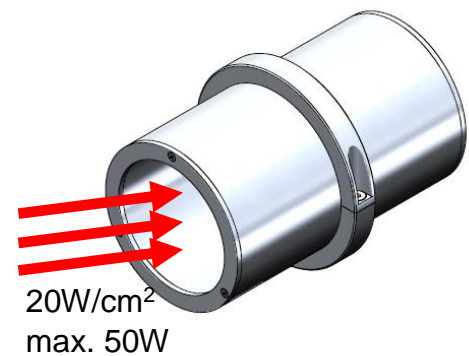
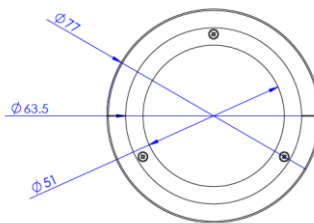
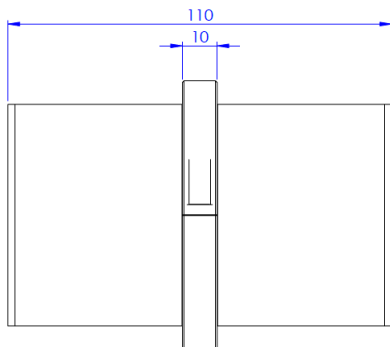
### **LBD-T-51 – Tube Laser Beam Dump for 51mm (2in) Beam, 0.1 $\mu$ m - 10 $\mu$ m**

Increase safety and reduce the risk of laser damage by trapping the beam entered into the aperture.

Suitable for CW laser up to 10W/cm<sup>2</sup> and pulsed beams in wide wavelength range from EUV through VIS and up to LWIR.

## Specifications

- ❖ Max. beam diameter [mm]: 51mm (2in)
- ❖ Reflectivity factor:  $<10^{-6}$
- ❖ Max. beam power density: 20W/cm<sup>2</sup> (max total power: 50W)
- ❖ Wavelengths range: 100nm - 10 $\mu$ m
- ❖ Mounting thread: M6 x 1.0
- ❖ Material: aluminum
- ❖ Coating: Vacuum Black & Metal Velvet Foil
- ❖ Size (dia. x length): 63.5mm (2.5in) x 110mm (4.3in) (exclude mount)



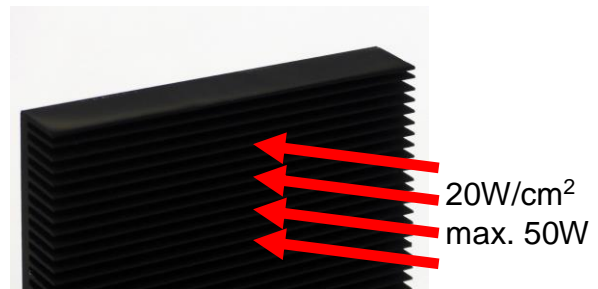
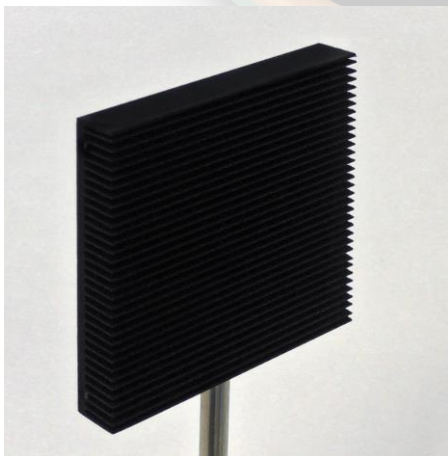
# Laser Beam Dump

## Product Description

**LBD-F-80 – Flat Laser Beam Dump, 80mm Beam, 200nm - 2 $\mu$ m**

## Specifications

- ❖ Max beam diameter [mm]: 80mm (3.2in)
- ❖ Max beam power density: 20W/cm<sup>2</sup> (max total power: 50W)
- ❖ Wavelengths range: 200nm - 2 $\mu$ m
- ❖ Mounting thread: M6 x 1.0
- ❖ Material: Aluminum
- ❖ Size: 90mm x 90mm x 15mm



**Acktar Ltd.**

Head Office: 19 Topaz St. P.O. Box 8643 Kiryat-Gat, Israel 8258401  
Tel: +972-08-6814213 Fax: +972-08-6810198 <http://www.acktar.com>